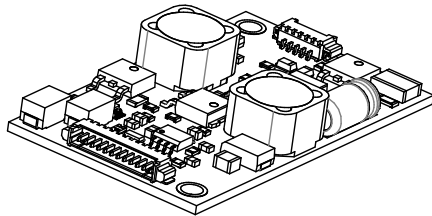


397 Route 281 – P.O. Box 1175
Tully, New York 13159-1175
Phone: 315 696-6676
Fax: 315 696 9923
Email: sales@acipower.com
www.acipower.com

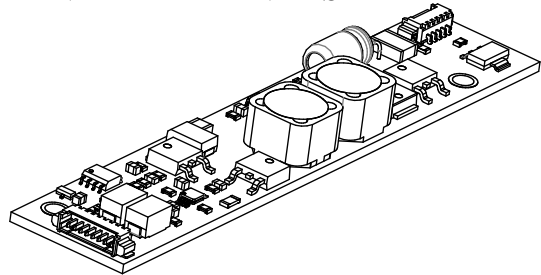
APPLICATION NOTE

01/30/12

DRIVING OPTREX PANELS WITH ACI I-DRIVE 3 AND I-DRIVE 4 LED DRIVERS



I-Drive 3



I-Drive 4

1. Identify the Optrex Panel P/N to be driven, from Table 1 below.
2. Use the ACI LED Driver specified in Table 1.
3. Output Cable Assemblies: Connect the LED Driver to the Display per the connection diagram specified in Table 1. Verify if an output cable assembly is required, to connect the driver to the display, per Table 1.
4. Input Cable Assemblies: The I-Drive 3 uses input cable assembly P/N 27-R0040 (12ö length), to interface with CON1 of LED Driver. The I-Drive 4 uses input cable assembly P/N 27-A0001 (8ö length); or P/N 27-A0027 (12ö length), to interface with CON1 of LED Driver.

Display Specifications				LED Driver Specifications			
Optrex Panel P/N	Size	# of Channels	Vf (V) Typ. (Max)	Current per Channel (mA) Typ.	ACI I-DRIVE 3 AND I-DRIVE 4 LED Driver P/N ACI-C = I-DRIVE 3 ACI-D = I-DRIVE 4	Output Cable Assembly (to connect driver to display)	Connection Diagram
10.4" VGA (640x480)							
T-55532D104J-LW-A-ACN	10.4ö	4	27 (38.7)	80	ACI-C150080-1968	27-R0064	Fig. 1, Pg 2
T-55532D104J-LW-A-ADN	10.4ö	4	27 (38.7)	80	ACI-C150080-1968	27-R0064	Fig. 1, Pg 2
10.4" SVGA (800x 600)							
T-55563D104J-LW-A-ABN	10.4ö	4	27 (35.8)	80	ACI-C150080-1968	27-R0064	Fig. 1, Pg 2
T-55563D104J-LW-A-ADN	10.4ö	4	27 (38.7)	70	ACI-C150070-1969	27-R0064	Fig. 1, Pg 2
10.4" XGA (1024x768)							
T-55533D104J-LW-A-ABN	10.4ö	4	27 (36.0)	70	ACI-C150070-1969	27-R0064	Fig. 1, Pg 2
T-55586D104J-LW-A-AAN	10.4ö	4	15 (21)	120	ACI-C120125-1852 ACI-D120125-1837	27-R0064	Fig. 1, Pg 2

TABLE 1. ö Driving Optrex Panels (Part 1 of 2)



397 Route 281 – P.O. Box 1175
 Tully, New York 13159-1175
 Phone: 315 696-6676
 Fax: 315 696 9923
 Email: sales@acipower.com
 www.acipower.com

AN-OP2

APPLICATION NOTE

01/30/12

DRIVING OPTREX PANELS WITH ACI I-DRIVE 3 AND I-DRIVE 4 LED DRIVERS

12.1" XGA (1024x768)							
T-55566D121J-LW-A-AAN	12.1ö	4	18 (25.2)	120	ACI-C120125-1852 ACI-D120125-1837	27-R0064	Fig. 1, Pg 2
14.1" WXGA (1280x800)							
T-55313D141J-LW-A-AGN	14.1ö	5	24 (32.2)	90	ACI-C170090-1979	27-R0088	Fig. 2, Pg 2
15.0" XGA (1024x768)							
T-55534D150J-LW-A-AAN	15.0ö	4	24 (33.2)	120	ACI-C120125-1852 ACI-D120125-1837	27-R0064	Fig. 1, Pg 2
T-55519D150J-LW-A-AAN	15.0ö	4	24 (31.6)	120	ACI-C120125-1852 ACI-D120125-1837	27-R0064	Fig. 1, Pg 2

TABLE 1. 6 Driving Optrex Panels (Part 2 of 2)

Notes: 1. The ACI-C120125-1852 is an I-Drive 3 and the ACI-D120125-1837 is an I-Drive 4. These two LED Drivers are the same electrically, however the ACI-D120125-1837 has a rectangular form factor that is similar to a traditional CCFL Inverter. Please see page 3 for comparison between I-Drive 3 and I-Drive 4 form factors.

397 Route 281 – P.O. Box 1175
 Tully, New York 13159-1175
 Phone: 315 696-6676
 Fax: 315 696 9923
 Email: sales@acipower.com
 www.acipower.com

APPLICATION NOTE

01/30/12

DRIVING OPTREX PANELS WITH ACI I-DRIVE 3 AND I-DRIVE 4 LED DRIVERS

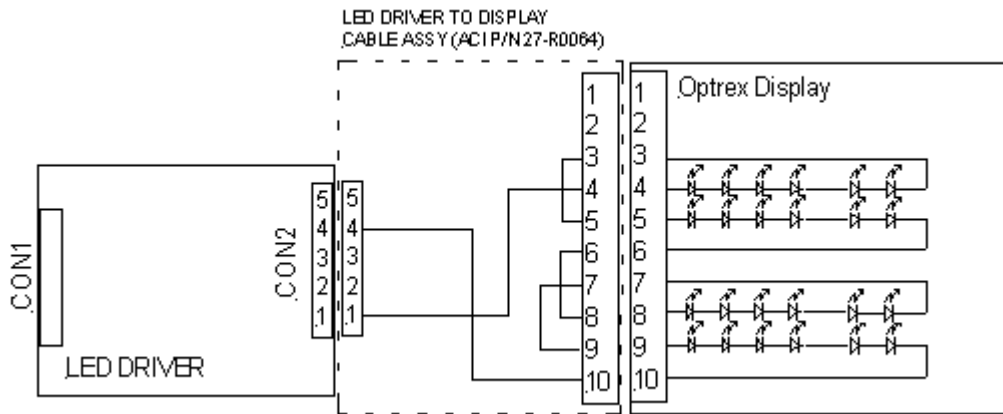


FIGURE 1. - Connecting LED Driver to Optrex Display

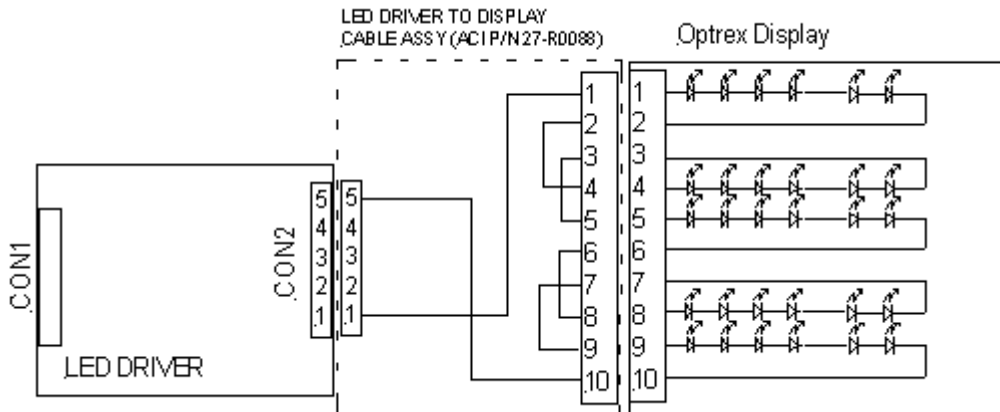
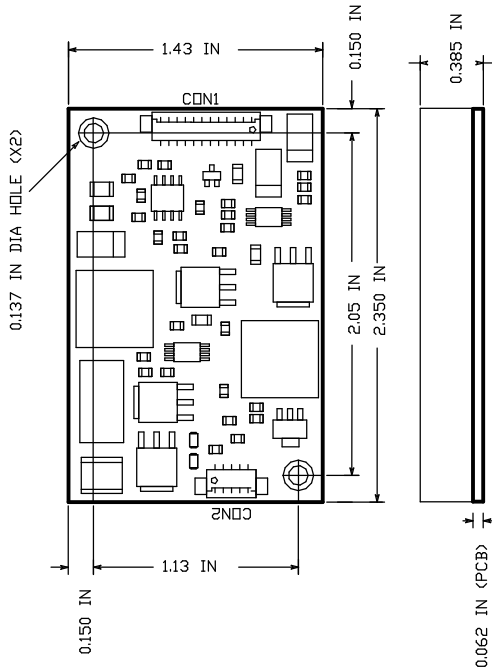
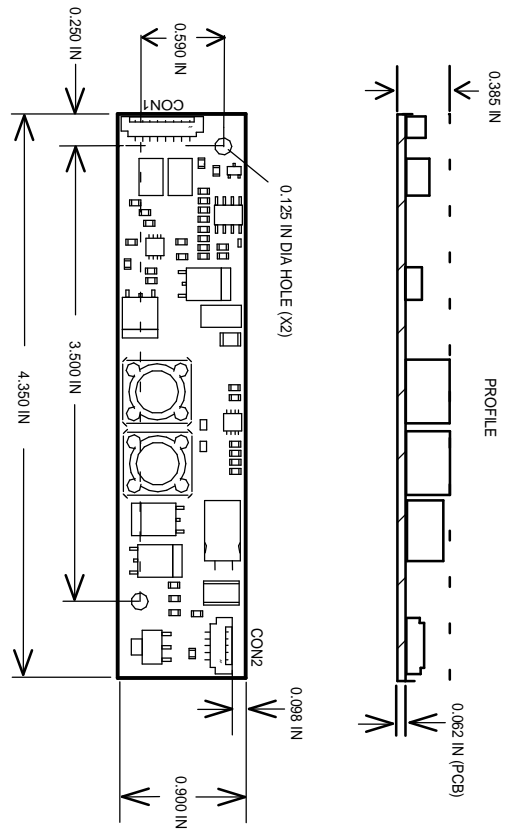


FIGURE 2. - Connecting LED Driver to Optrex Display

DRIVING OPTREX PANELS WITH ACI I-DRIVE 3 AND I-DRIVE 4 LED DRIVERS



I-DRIVE 3



I-DRIVE 4