



397 Route 281 – P.O. Box 1175  
 Tully, New York 13159-1175  
 Phone: 315 696-6676  
 Fax: 315 696 9923  
 Email: sales@acipower.com  
 www.acipower.com

AN-OP3

APPLICATION NOTE

05/10/11

DRIVING OPTREX PANELS WITH ACI I-DRIVE 5 LED DRIVERS

1. Identify the Optrex Panel P/N to be driven, from Table 1 below.
2. Use the ACI I-Drive 5 Driver specified in Table 1.
3. Connect the LED Driver to the Display per the connection diagram specified in Table 1. Verify if an output cable assembly is required, to connect the driver to the display, per Table 1.
4. Use Input Cable Assembly P/N 27-R0061, to interface with CON1 of LED Driver.

Display Specifications				LED Driver Specifications			
Optrex Panel P/N	Size	# of Channels	Vf (V) Typ. (Max)	Current per Channel (mA) Typ.	<b>ACI I-DRIVE 5 LED Driver P/N</b>	Output Cable Assembly (to connect driver to display)	Connection Diagram
<b>15.0 XGA (1024x768)</b>							
T-55534D150J-LW-A-ABN	15.0"	2x4	24 (33.2)	125	(1) ACI-E096250-1884	(1) 27-A0062	Fig. 1, Pg 2
T-55519D150J-LW-A-ABN	15.0"	2x5	24 (33.4)	130	(2) ACI-E170130-1971	(2) 27-R0088	Fig. 2, Pg 2

**TABLE 1.** – Driving Optrex Panels

DRIVING OPTREX PANELS WITH ACI I-DRIVE 5 LED DRIVERS

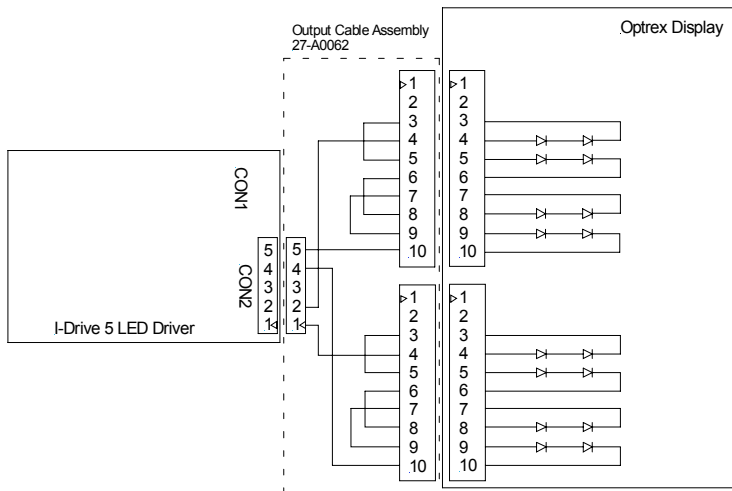


FIGURE 1. Connection Diagram

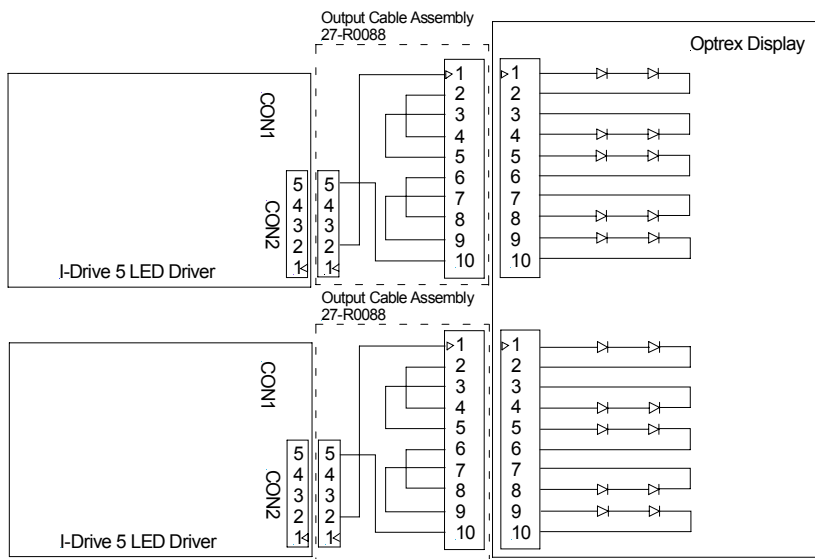


FIGURE 2. Connection Diagram