



397 Route 281 – P.O. Box 1175  
Tully, New York 13159-1175  
Phone: 315 696-6676  
Fax: 315 696 9923  
Email: [sales@acipower.com](mailto:sales@acipower.com)  
[www.acipower.com](http://www.acipower.com)

AN-OP2

## *APPLICATION NOTE*

03/16/10

### DRIVING OPTREX PANELS WITH ACI I-DRIVE3 LED DRIVERS

1. Identify the Optrex Panel P/N to be driven, from Table 1 below.
2. Use the ACI I-Drive3 Driver specified in Table 1.
3. Connect the LED Driver to the Display per the connection diagram specified in Table 1. Verify if an output cable assembly is required, to connect the driver to the display, per Table 1.
4. Use Input Cable Assembly P/N 27-A0040, to interface with CON1 of LED Driver.



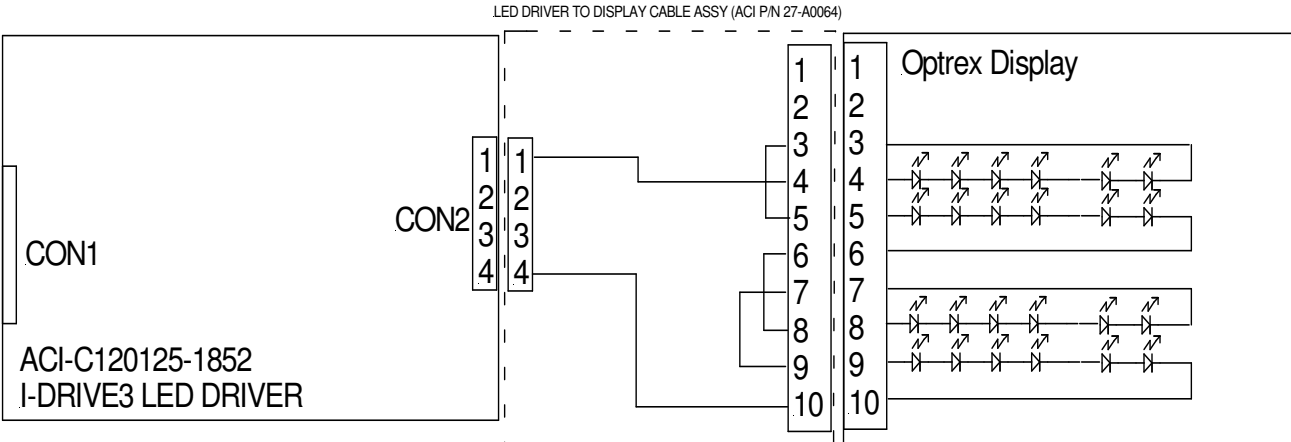


Figure 1: Connecting LED Driver to Optrex Display